

# Dual Isolated RS232 μModule Transceiver + Power

## FEATURES

- RS232 Transceiver: 2500V<sub>RMS</sub> for 1 Minute
- UL-CSA Recognized cULus File #E151738
- CSA Component Acceptance Notice 5A
- Isolated DC Power: 5V at Up to 200mA
- No External Components Required
- 1.62V to 5.5V Logic Supply for Flexible Digital Interfacing
- High Speed Operation
  - 1Mbps for 250pF/3kΩ Load
  - 250kbps for 1nF/3kΩ Load
  - 100kbps for 2.5nF/3kΩ TIA/EIA-232-F Load
- 3.3V (LTM2882-3) or 5V (LTM2882-5) Operation
- No Damage or Latchup to ±10kV HBM ESD on Isolated RS232 Interface or Across Isolation Barrier
- High Common Mode Transient Immunity: 30kV/μs
- Maximum Continuous Working Voltage: 560V<sub>PEAK</sub>
- True RS232 Compliant Output Levels
- 15mm × 11.25mm BGA and LGA Packages

## APPLICATIONS

- Isolated RS232 Interface
- Industrial Communication
- Test and Measurement Equipment
- Breaking RS232 Ground Loops

LT, LT, LTC, LTM, Linear Technology, the Linear logo and μModule are registered trademarks of Linear Technology Corporation. All other trademarks are the property of their respective owners.

## DESCRIPTION

The LTM<sup>®</sup>2882 is a complete galvanically isolated dual RS232 μModule<sup>®</sup> (micromodule) transceiver. No external components are required. A single 3.3V or 5V supply powers both sides of the interface through an integrated, isolated DC/DC converter. A logic supply pin allows easy interfacing with different logic levels from 1.62V to 5.5V, independent of the main supply.

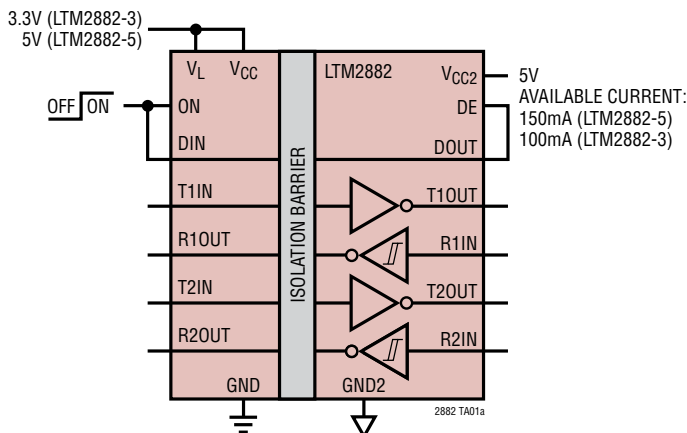
Coupled inductors and an isolation power transformer provide 2500V<sub>RMS</sub> of isolation between the line transceiver and the logic interface. This device is ideal for systems with different grounds, allowing for large common mode voltages. Uninterrupted communication is guaranteed for common mode transients greater than 30kV/μs.

This part is compatible with the TIA/EIA-232-F standard. Driver outputs are protected from overload and can be shorted to ground or up to ±15V without damage. An auxiliary isolated digital channel is available. This channel allows configuration for half-duplex operation by controlling the DE pin.

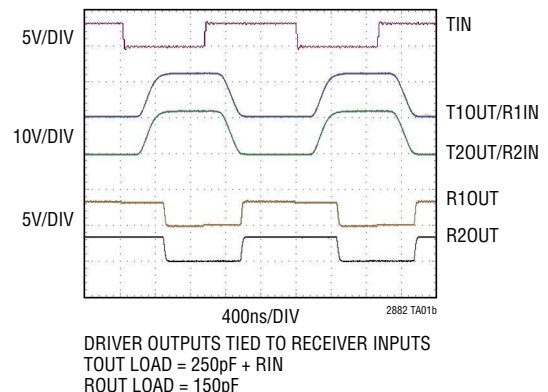
Enhanced ESD protection allows this part to withstand up to ±10kV (human body model) on the transceiver interface pins to isolated supplies and across the isolation barrier to logic supplies without latchup or damage.

## TYPICAL APPLICATION

Isolated Dual RS232 μModule Transceiver



1Mbps Operation



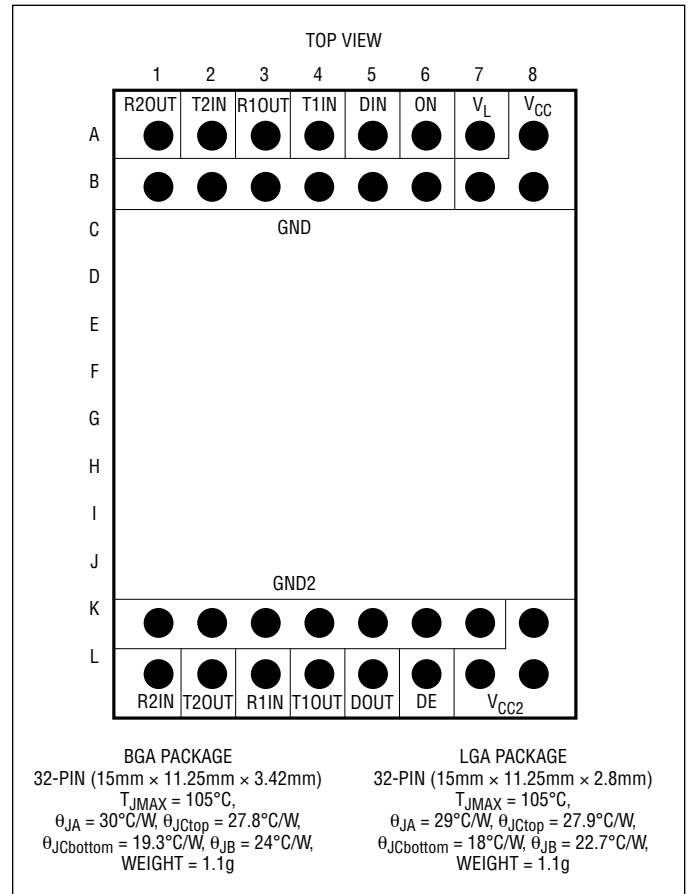
# LTM2882

## ABSOLUTE MAXIMUM RATINGS

(Note 1)

$V_{CC}$ to GND .....	-0.3V to 6V
$V_L$ to GND .....	-0.3V to 6V
$V_{CC2}$ to GND2.....	-0.3V to 6V
Logic Inputs	
T1IN, T2IN, ON, DIN to GND.....	-0.3V to ( $V_L + 0.3V$ )
DE to GND2.....	-0.3V to ( $V_{CC2} + 0.3V$ )
Logic Outputs	
R1OUT, R2OUT to GND.....	-0.3V to ( $V_L + 0.3V$ )
DOUT to GND2.....	-0.3V to ( $V_{CC2} + 0.3V$ )
Driver Output Voltage	
T1OUT, T2OUT to GND2.....	-15V to 15V
Receiver Input Voltage	
R1IN, R2IN to GND2 .....	-25V to 25V
Operating Temperature Range (Note 4)	
LTM2882C .....	$0^{\circ}\text{C} \leq T_A \leq 70^{\circ}\text{C}$
LTM2882I .....	$-40^{\circ}\text{C} \leq T_A \leq 85^{\circ}\text{C}$
Maximum Internal Operating Temperature.....	$105^{\circ}\text{C}$
Storage Temperature Range .....	$-40^{\circ}\text{C}$ to $105^{\circ}\text{C}$
Peak Package Body Reflow Temperature .....	$245^{\circ}\text{C}$

## PIN CONFIGURATION



## ORDER INFORMATION <http://www.linear.com/product/LTM2882#orderinfo>

PART NUMBER	INPUT VOLTAGE	PAD OR BALL FINISH	PART MARKING		PACKAGE TYPE	MSL RATING	TEMPERATURE RANGE
			DEVICE	FINISH CODE			
LTM2882CY-3#PBF	3V to 3.6V	SAC305 (RoHS)	LTM2882Y-3	e1	BGA	3	0°C to 70°C
LTM2882IY-3#PBF							-40°C to 85°C
LTM2882HY-3#PBF (OBSOLETE)							-40°C to 105°C
LTM2882MPY-3#PBF (OBSOLETE)							-55°C to 105°C
LTM2882CY-5#PBF	4.5V to 5.5V		LTM2882Y-5				0°C to 70°C
LTM2882IY-5#PBF							-40°C to 85°C
LTM2882HY-5#PBF (OBSOLETE)							-40°C to 105°C
LTM2882MPY-5#PBF (OBSOLETE)							-55°C to 105°C
LTM2882CV-3#PBF	3V to 3.6V	Au (RoHS)	LTM2882V-3	e4	LGA	3	0°C to 70°C
LTM2882IV-3#PBF							-40°C to 85°C
LTM2882CV-5#PBF	4.5V to 5.5V		LTM2882V-5				0°C to 70°C
LTM2882IV-5#PBF							-40°C to 85°C

- Device temperature grade is indicated by a label on the shipping container.
- Pad or ball finish code is per IPC/JEDEC J-STD-609.
- Terminal Finish Part Marking: [www.linear.com/leadfree](http://www.linear.com/leadfree)
- This product is not recommended for second side reflow. For more information, go to: [www.linear.com/BGA-assy](http://www.linear.com/BGA-assy)
- Recommended BGA and LGA PCB Assembly and Manufacturing Procedures: [www.linear.com/umodule/pcbassembly](http://www.linear.com/umodule/pcbassembly)
- LGA and BGA Package and Tray Drawings: [www.linear.com/packaging](http://www.linear.com/packaging)
- This product is moisture sensitive. For more information, go to: [www.linear.com/umodule/pcbassembly](http://www.linear.com/umodule/pcbassembly)

## ELECTRICAL CHARACTERISTICS

The ● denotes the specifications which apply over the full operating temperature range, otherwise specifications are at  $T_A = 25^\circ\text{C}$ . LTM2882-3  $V_{CC} = 3.3\text{V}$ , LTM2882-5  $V_{CC} = 5.0\text{V}$ ,  $V_L = V_{CC}$ , and  $\text{GND} = \text{GND} = 0\text{V}$ ,  $\text{ON} = V_L$  unless otherwise noted.

SYMBOL	PARAMETER	CONDITIONS	MIN	TYP	MAX	UNITS	
<b>Supplies</b>							
$V_{CC}$	Input Supply Range	LTM2882-3	●	3.0	3.3	3.6	V
		LTM2882-5	●	4.5	5.0	5.5	V
$V_L$	Logic Supply Range		●	1.62		5.5	V
$I_{CC}$	Input Supply Current	ON = 0V	●		0	10	$\mu\text{A}$
		LTM2882-3, No Load	●		24	30	mA
		LTM2882-5, No Load	●		17	25	mA
$V_{CC2}$	Regulated Output Voltage, Loaded	LTM2882-3 DE = 0V, $I_{LOAD} = 100\text{mA}$	●	4.7	5.0		V
		LTM2882-5 DE = 0V, $I_{LOAD} = 150\text{mA}$	●	4.7	5.0		V
$V_{CC2(\text{NOLOAD})}$	Regulated Output Voltage, No Load	DE = 0, No Load		4.8	5.0	5.35	V
	Efficiency	$I_{CC2} = 100\text{mA}$ , LTM2882-5 (Note 2)			65		%
$I_{CC2}$	Output Supply Short-Circuit Current			200		mA	
<b>Driver</b>							
$V_{OLD}$	Driver Output Voltage Low	$R_L = 3\text{k}\Omega$	●	-5	-5.7		V
$V_{OHD}$	Driver Output Voltage High	$R_L = 3\text{k}\Omega$	●	5	6.2		V
$I_{OSD}$	Driver Short-Circuit Current	$V_{T1OUT}, V_{T2OUT} = 0\text{V}$ , $V_{CC2} = 5.5\text{V}$	●		$\pm 35$	$\pm 70$	mA
$I_{OZD}$	Driver Three-State (High Impedance) Output Current	DE = 0V, $V_{T1OUT}, V_{T2OUT} = \pm 15\text{V}$	●		$\pm 0.1$	$\pm 10$	$\mu\text{A}$

2882fg

**ELECTRICAL CHARACTERISTICS** The ● denotes the specifications which apply over the full operating temperature range, otherwise specifications are at  $T_A = 25^\circ\text{C}$ . LTM2882-3  $V_{CC} = 3.3\text{V}$ , LTM2882-5  $V_{CC} = 5.0\text{V}$ ,  $V_L = V_{CC}$ , and  $\text{GND} = \text{GND2} = 0\text{V}$ ,  $\text{ON} = V_L$  unless otherwise noted.

SYMBOL	PARAMETER	CONDITIONS	MIN	TYP	MAX	UNITS	
<b>Receiver</b>							
$V_{IR}$	Receiver Input Threshold	Input Low	●	0.8	1.3	V	
		Input High	●		1.7	2.5	V
$V_{HYSR}$	Receiver Input Hysteresis		●	0.1	0.4	1.0	V
$R_{IN}$	Receiver Input Resistance	$-15\text{V} \leq (V_{R1IN}, V_{R2IN}) \leq 15\text{V}$	●	3	5	7	k $\Omega$
<b>Logic</b>							
$V_{ITH}$	Logic Input Threshold Voltage	ON, T1IN, T2IN, DIN = $1.62\text{V} \leq V_L < 2.35\text{V}$	●	$0.25 \cdot V_L$	$0.75 \cdot V_L$	V	
		ON, T1IN, T2IN, DIN = $2.35\text{V} \leq V_L \leq 5.5\text{V}$	●	0.4	$0.67 \cdot V_L$	V	
		DE	●	0.4	$0.67 \cdot V_{CC2}$	V	
$I_{INL}$	Logic Input Current		●		$\pm 1$	$\mu\text{A}$	
$V_{HYS}$	Logic Input Hysteresis	T1IN, T2IN, DIN (Note 2)		150		mV	
$V_{OH}$	Logic Output High Voltage	R1OUT, R2OUT $I_{LOAD} = -1\text{mA}$ (Sourcing), $1.62\text{V} \leq V_L < 3.0\text{V}$ $I_{LOAD} = -4\text{mA}$ (Sourcing), $3.0\text{V} \leq V_L \leq 5.5\text{V}$	●	$V_L - 0.4$		V	
			●	$V_L - 0.4$		V	
		DOUT, $I_{LOAD} = -4\text{mA}$ (Sourcing)	●	$V_{CC2} - 0.4$		V	
$V_{OL}$	Logic Output Low Voltage	R1OUT, R2OUT $I_{LOAD} = 1\text{mA}$ (Sinking), $1.62\text{V} \leq V_L < 3.0\text{V}$ $I_{LOAD} = 4\text{mA}$ (Sinking), $3.0\text{V} \leq V_L \leq 5.5\text{V}$	●		0.4	V	
			●		0.4	V	
		DOUT, $I_{LOAD} = 4\text{mA}$ (Sinking)	●		0.4	V	
<b>ESD (HBM) (Note 2)</b>							
	RS232 Driver and Receiver Protection	(T1OUT, T2OUT, R1IN, R2IN) to ( $V_{CC2}$ , GND2)			$\pm 10$	kV	
		(T1OUT, T2OUT, R1IN, R2IN) to ( $V_{CC}$ , $V_L$ , GND)			$\pm 10$	kV	
	Isolation Boundary	( $V_{CC2}$ , GND2) to ( $V_{CC}$ , $V_L$ , GND)			$\pm 10$	kV	

**SWITCHING CHARACTERISTICS** The ● denotes the specifications which apply over the full operating temperature range, otherwise specifications are at  $T_A = 25^\circ\text{C}$ . LTM2882-3  $V_{CC} = 3.3\text{V}$ , LTM2882-5  $V_{CC} = 5.0\text{V}$ ,  $V_L = V_{CC}$ , and  $\text{GND} = \text{GND2} = 0\text{V}$ ,  $\text{ON} = V_L$  unless otherwise noted.

SYMBOL	PARAMETER	CONDITIONS	MIN	TYP	MAX	UNITS
	Maximum Data Rate (T1IN to T1OUT, T2IN to T2OUT)	$R_L = 3\text{k}\Omega$ , $C_L = 2.5\text{nF}$ (Note 3)	●	100		kbps
		$R_L = 3\text{k}\Omega$ , $C_L = 1\text{nF}$ (Note 3)	●	250		kbps
		$R_L = 3\text{k}\Omega$ , $C_L = 250\text{pF}$ (Note 3)	●	1000		kbps
	Maximum Data Rate (DIN to DOUT)	$C_L = 15\text{pF}$ (Note 3)	●	10		Mbps
<b>Driver</b>						
	Driver Slew Rate ( $6\text{V}/t_{THL}$ or $t_{TLH}$ )	$R_L = 3\text{k}\Omega$ , $C_L = 50\text{pF}$ (Figure 1)	●		150	V/ $\mu\text{s}$
$t_{PHLD}$ , $t_{PLHD}$	Driver Propagation Delay	$R_L = 3\text{k}\Omega$ , $C_L = 50\text{pF}$ (Figure 1)	●	0.2	0.5	$\mu\text{s}$
$t_{SKEWD}$	Driver Skew $ t_{PHLD} - t_{PLHD} $	$R_L = 3\text{k}\Omega$ , $C_L = 50\text{pF}$ (Figure 1)		40		ns
$t_{PZHD}$ , $t_{PZLD}$	Driver Output Enable Time	DE = $\uparrow$ , $R_L = 3\text{k}\Omega$ , $C_L = 50\text{pF}$ (Figure 2)	●	0.6	2	$\mu\text{s}$
$t_{PHZD}$ , $t_{PLZD}$	Driver Output Disable Time	DE = $\downarrow$ , $R_L = 3\text{k}\Omega$ , $C_L = 50\text{pF}$ (Figure 2)	●	0.3	2	$\mu\text{s}$

**SWITCHING CHARACTERISTICS** The ● denotes the specifications which apply over the full operating temperature range, otherwise specifications are at  $T_A = 25^\circ\text{C}$ . LTM2882-3  $V_{CC} = 3.3\text{V}$ , LTM2882-5  $V_{CC} = 5.0\text{V}$ ,  $V_L = V_{CC}$ , and  $\text{GND} = \text{GND2} = 0\text{V}$ ,  $\text{ON} = V_L$  unless otherwise noted.

SYMBOL	PARAMETER	CONDITIONS	MIN	TYP	MAX	UNITS
<b>Receiver</b>						
$t_{PHLR}, t_{PLHR}$	Receiver Propagation Delay	$C_L = 150\text{pF}$ (Figure 3)	●	0.2	0.4	$\mu\text{s}$
$t_{SKEWR}$	Receiver Skew $ t_{PHLR} - t_{PLHR} $	$C_L = 150\text{pF}$ (Figure 3)		40		ns
$t_{RR}, t_{FR}$	Receiver Rise or Fall Time	$C_L = 150\text{pF}$ (Figure 3)	●	60	200	ns
<b>Auxiliary Channel</b>						
$t_{PHLL}, t_{PLHL}$	Propagation Delay	$C_L = 15\text{pF}$ , $t_R$ and $t_F < 4\text{ns}$ (Figure 4)	●	60	100	ns
$t_{RL}, t_{FL}$	Rise or Fall Time	$C_L = 150\text{pF}$ (Figure 4)	●	60	200	ns
<b>Power Supply</b>						
	Power-Up Time	$\text{ON} = \uparrow$ to $V_{CC2(\text{MIN})}$	●	0.2	2	ms

**ISOLATION CHARACTERISTICS** The ● denotes the specifications which apply over the full operating temperature range, otherwise specifications are at  $T_A = 25^\circ\text{C}$ . LTM2882-3  $V_{CC} = 3.3\text{V}$ , LTM2882-5  $V_{CC} = 5.0\text{V}$ ,  $V_L = V_{CC}$ , and  $\text{GND} = \text{GND2} = 0\text{V}$ ,  $\text{ON} = V_L$  unless otherwise noted.

SYMBOL	PARAMETER	CONDITIONS	MIN	TYP	MAX	UNITS
$V_{ISO}$	Rated Dielectric Insulation Voltage	1 Minute, Derived from 1 Second Test		2500		$V_{RMS}$
		1 Second (Notes 5, 6)		$\pm 4400$		V
	Common Mode Transient Immunity	$V_L = \text{ON} = 3.3\text{V}$ , $V_{CM} = 1\text{kV}$ , $\Delta t = 33\text{ns}$ (Note 2)		30		$\text{kV}/\mu\text{s}$
$V_{IORM}$	Maximum Working Insulation Voltage	(Notes 2, 5)		560		$V_{PEAK}$
		Partial Discharge	$V_{PR} = 1050 V_{PEAK}$ (Notes 2, 5)			5
CTI	Comparative Tracking Index	IEC 60112 (Note 2)		600		$V_{RMS}$
		DTI	Depth of Erosion		0.017	
	Distance Through Insulation	IEC 60112 (Note 2)		0.06		mm
	Input to Output Resistance	(Notes 2, 5)		$10^9$		$\Omega$
	Input to Output Capacitance	(Notes 2, 5)		6		pF
	Creepage Distance	(Notes 2, 5)		9.48		mm

**Note 1:** Stresses beyond those listed under Absolute Maximum Ratings may cause permanent damage to the device. Exposure to any Absolute Maximum Rating condition for extended periods may affect device reliability and lifetime.

**Note 2:** Guaranteed by design and not subject to production test.

**Note 3:** Maximum Data Rate is guaranteed by other measured parameters and is not tested directly.

**Note 4:** This device includes over-temperature protection that is intended to protect the device during momentary overload conditions. Junction temperature will exceed  $105^\circ\text{C}$  when overtemperature protection is active. Continuous operation above specified maximum operating junction temperature may result in device degradation or failure.

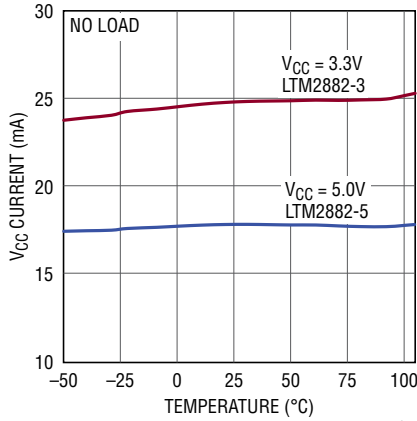
**Note 5:** Tests performed from GND to GND2, all pins shorted each side of isolation barrier.

**Note 6:** The rated dielectric insulation voltage should not be interpreted as a continuous voltage rating.

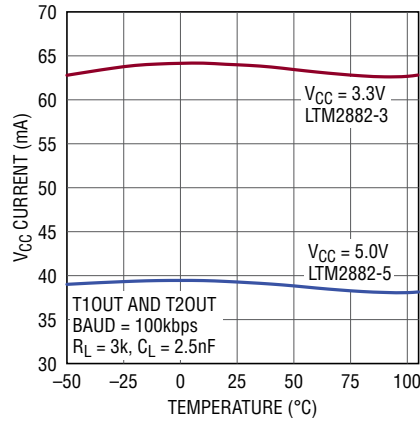
# LTM2882

## TYPICAL PERFORMANCE CHARACTERISTICS $T_A = 25^\circ\text{C}$ , LTM2882-3 $V_{CC} = 3.3\text{V}$ , LTM2882-5 $V_{CC} = 5\text{V}$ , $V_L = 3.3\text{V}$ , and $\text{GND} = \text{GND2} = 0\text{V}$ , $\text{ON} = V_L$ unless otherwise noted.

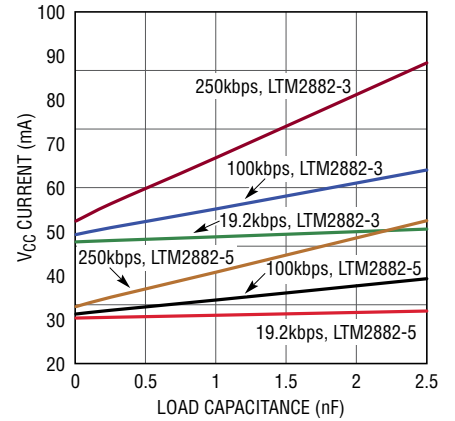
**$V_{CC}$  Supply Current vs Temperature**



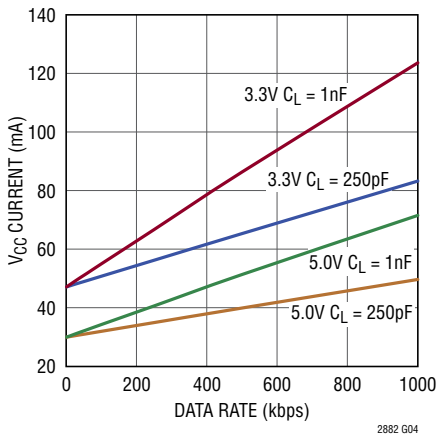
**$V_{CC}$  Supply Current vs Temperature**



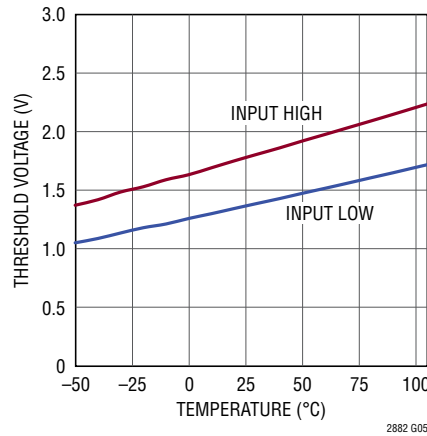
**$V_{CC}$  Supply Current vs Load Capacitance (Dual Transceiver)**



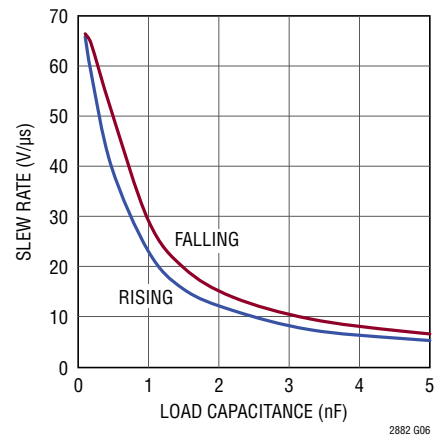
**$V_{CC}$  Supply Current vs Data Rate (Dual Transceiver)**



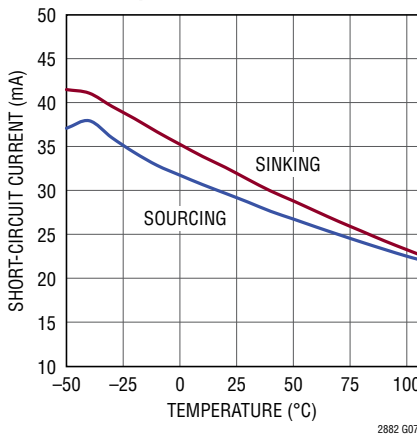
**Receiver Input Threshold vs Temperature**



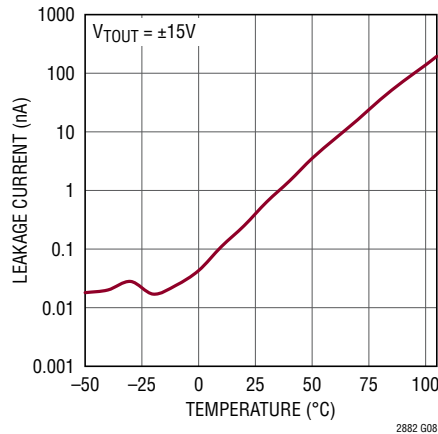
**Driver Slew Rate vs Load Capacitance**



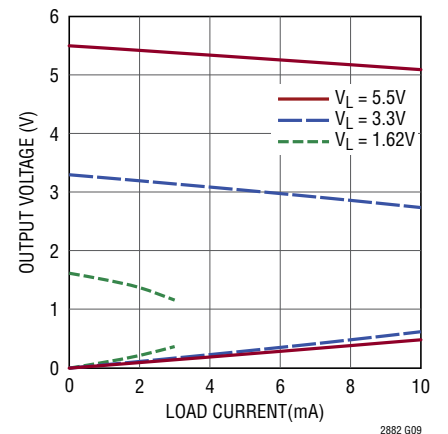
**Driver Short-Circuit Current vs Temperature**



**Driver Disabled Leakage Current vs Temperature at  $\pm 15\text{V}$**

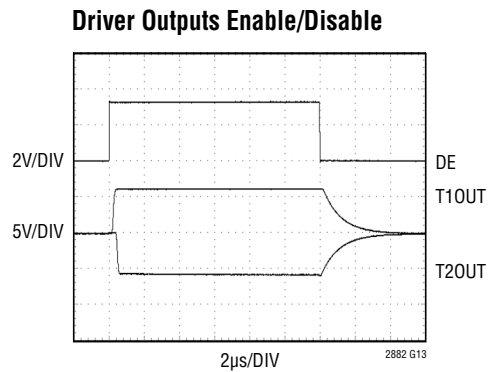
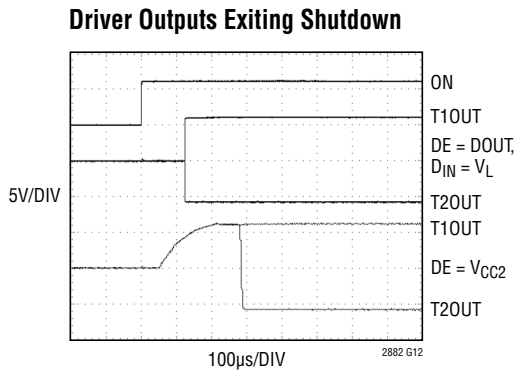
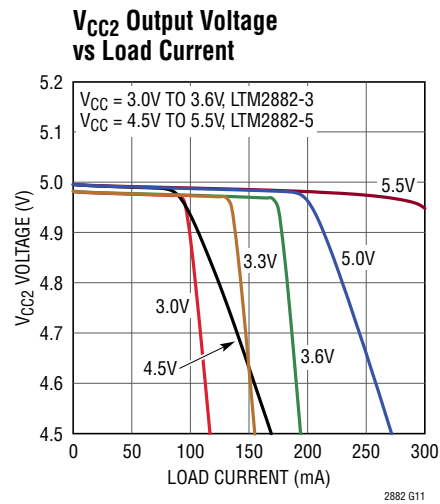
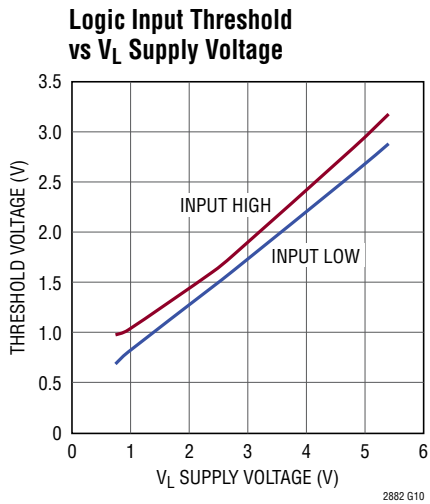


**Receiver Output Voltage vs Load Current**

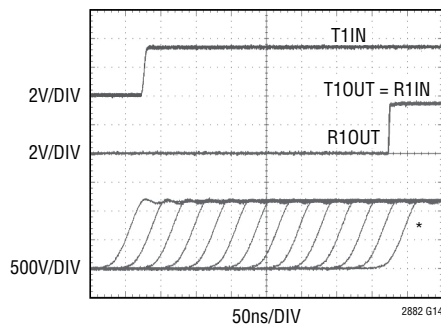


2882fg

**TYPICAL PERFORMANCE CHARACTERISTICS**  $T_A = 25^\circ\text{C}$ , LTM2882-3  $V_{CC} = 3.3\text{V}$ , LTM2882-5  $V_{CC} = 5\text{V}$ ,  $V_L = 3.3\text{V}$ , and  $\text{GND} = \text{GND2} = 0\text{V}$ ,  $\text{ON} = V_L$  unless otherwise noted.



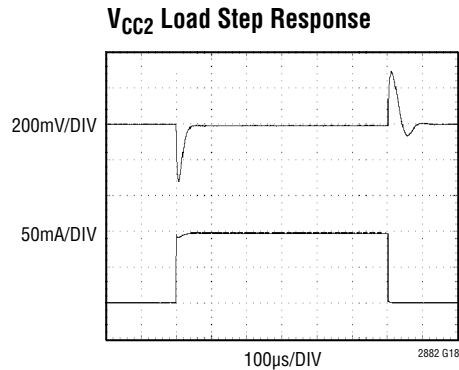
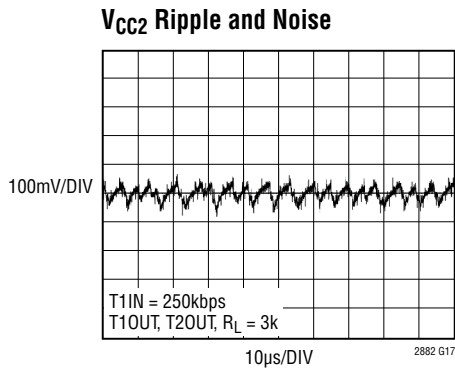
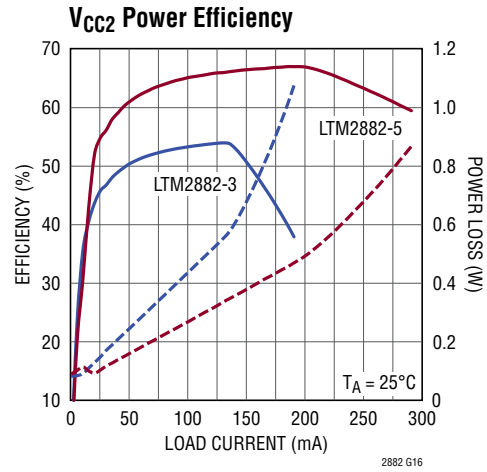
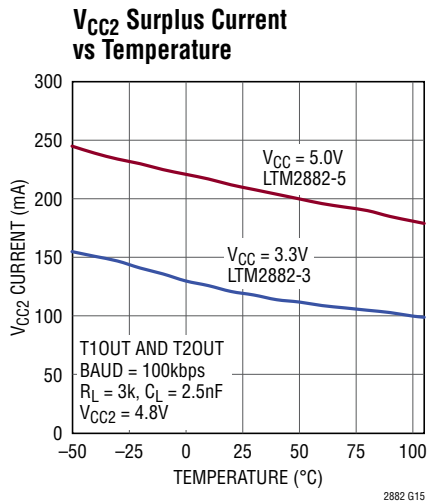
**Operating Through 35kV/µs Common Mode Transients**



\* MULTIPLE SWEEPS OF COMMON MODE TRANSIENTS

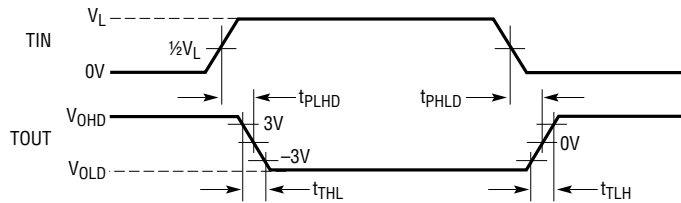
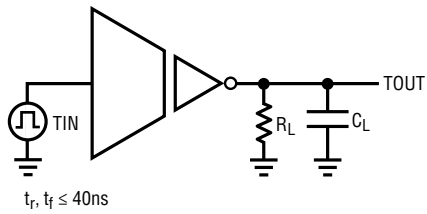
# LTM2882

## TYPICAL PERFORMANCE CHARACTERISTICS $T_A = 25^\circ\text{C}$ , LTM2882-3 $V_{CC} = 3.3\text{V}$ , LTM2882-5 $V_{CC} = 5\text{V}$ , $V_L = 3.3\text{V}$ , and $\text{GND} = \text{GND2} = 0\text{V}$ , $\text{ON} = V_L$ unless otherwise noted.



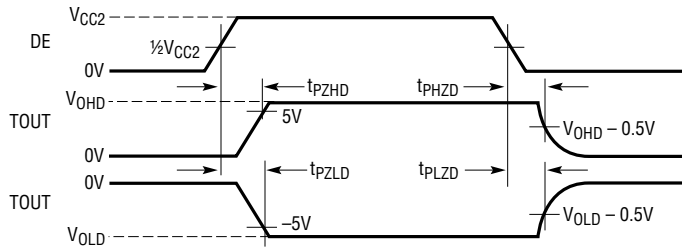
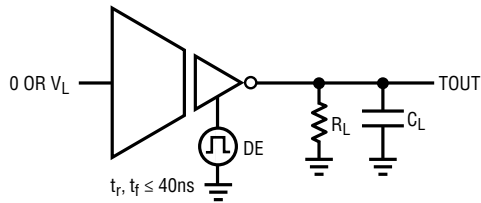


TEST CIRCUITS



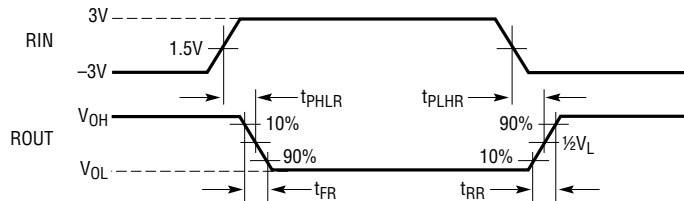
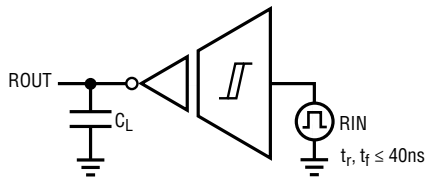
2882 F01

Figure 1. Driver Slew Rate and Timing Measurement



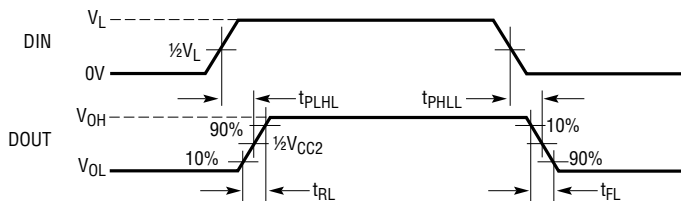
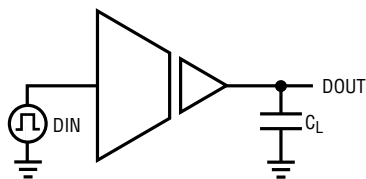
2882 F02

Figure 2. Driver Enable/Disable Times



2882 F03

Figure 3. Receiver Timing Measurement



2882 F04

Figure 4. Auxiliary Channel Timing Measurement

## PIN FUNCTIONS

### LOGIC SIDE

**R2OUT (Pin A1):** Channel 2 RS232 Inverting Receiver Output. Controlled through isolation barrier from receiver input R2IN. Under the condition of an isolation communication failure R2OUT is in a high impedance state.

**T2IN (Pin A2):** Channel 2 RS232 Inverting Driver Input. A logic low on this input generates a high on isolated output T2OUT. A logic high on this input generates a low on isolated output T2OUT. Do not float.

**R1OUT (Pin A3):** Channel 1 RS232 Inverting Receiver Output. Controlled through isolation barrier from receiver input R1IN. Under the condition of an isolation communication failure R1OUT is in a high impedance state.

**T1IN (Pin A4):** Channel 1 RS232 Inverting Driver Input. A logic low on this input generates a high on isolated output T1OUT. A logic high on this input generates a low on isolated output T1OUT. Do not float.

**DIN (Pin A5):** General Purpose Non-Inverting Logic Input. A logic high on DIN generates a logic high on isolated output DOUT. A logic low on DIN generates a logic low on isolated output DOUT. Do not float.

**ON (Pin A6):** Enable. Enables power and data communication through the isolation barrier. If ON is high the part is enabled and power and communications are functional to the isolated side. If ON is low the logic side is held in reset and the isolated side is unpowered. Do not float.

**V<sub>L</sub> (Pin A7):** Logic Supply. Interface supply voltage for pins DIN, R2OUT, T2IN, R1OUT, T1IN, and ON. Operating voltage is 1.62V to 5.5V. Internally bypassed to GND with 2.2 $\mu$ F.

**V<sub>CC</sub> (Pins A8, B7-B8):** Supply Voltage. Operating voltage is 3.0V to 3.6V for LTM2882-3, and 4.5V to 5.5V for LTM2882-5. Internally bypassed to GND with 2.2 $\mu$ F.

**GND (Pins B1-B6):** Circuit Ground.

### ISOLATED SIDE

**GND2 (Pins K1-K7):** Isolated Side Circuit Ground. These pads should be connected to the isolated ground and/or cable shield.

**V<sub>CC2</sub> (Pins K8, L7-L8):** Isolated Supply Voltage Output. Internally generated from V<sub>CC</sub> by an isolated DC/DC converter and regulated to 5V. Supply voltage for pins R1IN, R2IN, DE, and DOUT. Internally bypassed to GND2 with 2.2 $\mu$ F.

**R2IN (Pin L1):** Channel 2 RS232 Inverting Receiver Input. A low on isolated input R2IN generates a logic high on R2OUT. A high on isolated input R2IN generates a logic low on R2OUT. Impedance is nominally 5k $\Omega$  in receive mode or unpowered.

**T2OUT (Pin L2):** Channel 2 RS232 Inverting Driver Output. Controlled through isolation barrier from driver input T2IN. High impedance when the driver is disabled (DE pin is low).

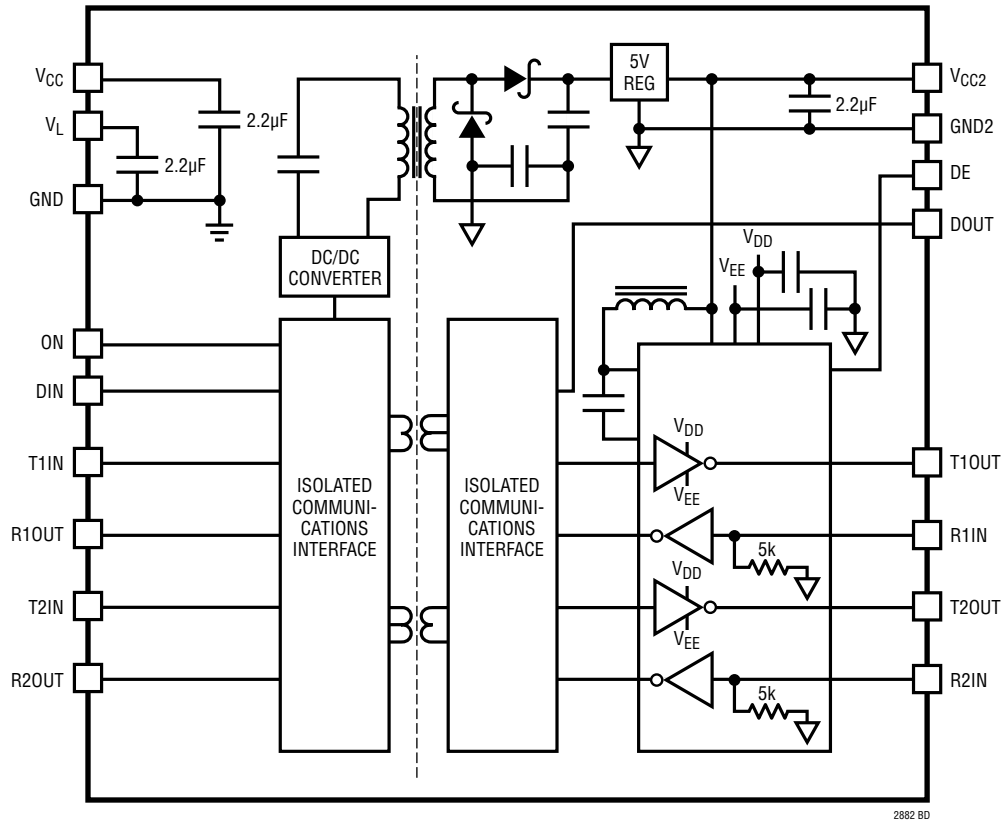
**R1IN (Pin L3):** Channel 1 RS232 Inverting Receiver Input. A low on isolated input R1IN generates a logic high on R1OUT. A high on isolated input R1IN generates a logic low on R1OUT. Impedance is nominally 5k $\Omega$  in receive mode or unpowered.

**T1OUT (Pin L4):** Channel 1 RS232 Inverting Driver Output. Controlled through isolation barrier from driver input T1IN. High impedance when the driver is disabled (DE pin is low).

**DOUT (Pin L5):** General Purpose Non-Inverting Logic Output. Logic output connected through isolation barrier to DIN.

**DE (Pin L6):** Driver Output Enable. A low input forces both RS232 driver outputs, T1OUT and T2OUT, into a high impedance state. A high input enables both RS232 driver outputs. Do not float.

# BLOCK DIAGRAM



## APPLICATIONS INFORMATION

### Overview

The LTM2882  $\mu$ Module transceiver provides a galvanically-isolated robust RS232 interface, powered by an integrated, regulated DC/DC converter, complete with decoupling capacitors. The LTM2882 is ideal for use in networks where grounds can take on different voltages. Isolation in the LTM2882 blocks high voltage differences, eliminates ground loops and is extremely tolerant of common mode transients between grounds. Error-free operation is maintained through common mode events greater than 30kV/ $\mu$ s providing excellent noise isolation.

### $\mu$ Module Technology

The LTM2882 utilizes isolator  $\mu$ Module technology to translate signals and power across an isolation barrier. Signals on either side of the barrier are encoded into pulses and translated across the isolation boundary using coreless transformers formed in the  $\mu$ Module substrate. This system, complete with data refresh, error checking, safe shutdown on fail, and extremely high common mode immunity, provides a robust solution for bidirectional signal isolation. The  $\mu$ Module technology provides the means to combine the isolated signaling with our advanced dual RS232 transceiver and powerful isolated DC/DC converter in one small package.

### DC/DC Converter

The LTM2882 contains a fully integrated isolated DC/DC converter, including the transformer, so that no external components are necessary. The logic side contains a full-bridge driver, running at about 2MHz, and is AC-coupled to a single transformer primary. A series DC blocking capacitor prevents transformer saturation due to driver duty cycle imbalance. The transformer scales the primary voltage, and is rectified by a full-wave voltage doubler. This topology eliminates transformer saturation caused by secondary imbalances.

The DC/DC converter is connected to a low dropout regulator (LDO) to provide a regulated low noise 5V output,  $V_{CC2}$ .

An integrated boost converter generates a 7V  $V_{DD}$  supply and a charge pumped  $-6.3V V_{EE}$  supply.  $V_{DD}$  and  $V_{EE}$  power the output stage of the RS232 drivers and are regulated to levels that guarantee greater than  $\pm 5V$  output swing.

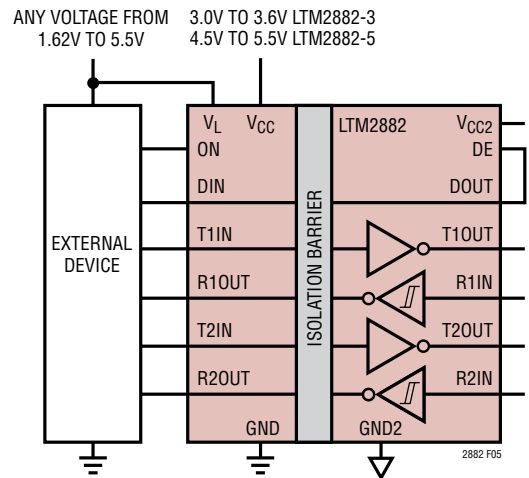


Figure 5.  $V_{CC}$  and  $V_L$  Are Independent

The internal power solution is sufficient to support the transceiver interface at its maximum specified load and data rate, and has the capacity to provide additional 5V power on the isolated side  $V_{CC2}$  and GND2 pins.  $V_{CC}$  and  $V_{CC2}$  are each bypassed internally with 2.2 $\mu$ F ceramic capacitors.

### $V_L$ Logic Supply

A separate logic supply pin  $V_L$  allows the LTM2882 to interface with any logic signal from 1.62V to 5.5V as shown in Figure 5. Simply connect the desired logic supply to  $V_L$ .

There is no interdependency between  $V_{CC}$  and  $V_L$ ; they may simultaneously operate at any voltage within their specified operating ranges and sequence in any order.  $V_L$  is bypassed internally by a 2.2 $\mu$ F capacitor.

### Hot Plugging Safely

Caution must be exercised in applications where power is plugged into the LTM2882's power supplies,  $V_{CC}$  or  $V_L$ , due to the integrated ceramic decoupling capacitors. The parasitic cable inductance along with the high Q characteristics of ceramic capacitors can cause substantial ringing which could exceed the maximum voltage ratings and damage the LTM2882. Refer to Linear Technology Application Note 88, entitled "Ceramic Input Capacitors Can Cause Overvoltage Transients" for a detailed discussion and mitigation of this phenomenon.

## APPLICATIONS INFORMATION

### Channel Timing Uncertainty

Multiple channels are supported across the isolation boundary by encoding and decoding of the inputs and outputs. The technique used assigns T1IN/R1IN the highest priority such that there is no jitter on the associated output channels T1OUT/R1OUT, only delay. This preemptive scheme will produce a certain amount of uncertainty on T2IN/R2IN to T2OUT/R2OUT and DIN to DOUT. The resulting pulse width uncertainty on these low priority channels is typically  $\pm 6\text{ns}$ , but may vary up to about 40ns.

### Half-Duplex Operation

The DE pin serves as a low-latency driver enable for half-duplex operation. The DE pin can be easily driven from the logic side by using the uncommitted auxiliary digital channel, DIN to DOUT. Each driver is enabled and disabled in less than  $2\mu\text{s}$ , while each receiver remains continuously active. This mode of operation is illustrated in Figure 6.

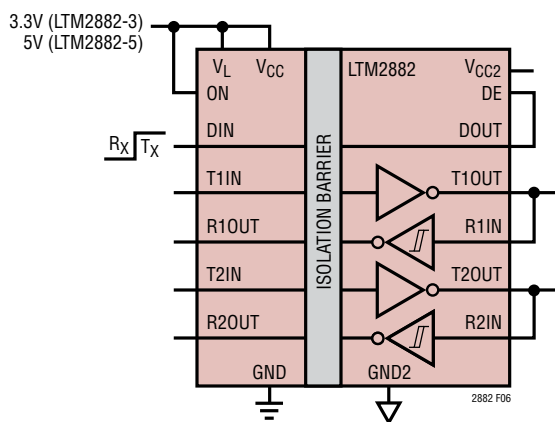


Figure 6. Half-Duplex Configuration Using D<sub>OUT</sub> to Drive DE

### Driver Overvoltage and Overcurrent Protection

The driver outputs are protected from short-circuits to any voltage within the absolute maximum range of  $\pm 15\text{V}$  relative to GND2. The maximum current is limited to no more than 70mA to maintain a safe power dissipation and prevent damaging the LTM2882.

### Receiver Overvoltage and Open Circuit

The receiver inputs are protected from common mode voltages of  $\pm 25\text{V}$  relative to GND2.

Each receiver input has a nominal input impedance of  $5\text{k}\Omega$  relative to GND2. An open circuit condition will generate a logic high on each receiver's respective output pin.

### RF, Magnetic Field Immunity

The LTM2882 has been independently evaluated and has successfully passed the RF and magnetic field immunity testing requirements per European Standard EN 55024, in accordance with the following test standards:

- EN 61000-4-3 Radiated, Radio-Frequency, Electromagnetic Field Immunity
- EN 61000-4-8 Power Frequency Magnetic Field Immunity
- EN 61000-4-9 Pulsed Magnetic Field Immunity

Tests were performed using an unshielded test card designed per the data sheet PCB layout recommendations. Specific limits per test are detailed in Table 1.

Table 1

TEST	FREQUENCY	FIELD STRENGTH
EN 61000-4-3, Annex D	80MHz to 1GHz	10V/m
	1.4MHz to 2GHz	3V/m
	2GHz to 2.7GHz	1V/m
EN 61000-4-8, Level 4	50Hz and 60Hz	30A/m
EN 61000-4-8, Level 5	60Hz	100A/m*
EN 61000-4-9, Level 5	Pulse	1000A/m

\*Non IEC Method

## APPLICATIONS INFORMATION

### PCB Layout

The high integration of the LTM2882 makes PCB layout very simple. However, to optimize its electrical isolation characteristics, EMI, and thermal performance, some layout considerations are necessary.

- Under heavily loaded conditions  $V_{CC}$  and GND current can exceed 300mA. Sufficient copper must be used on the PCB to insure resistive losses do not cause the supply voltage to drop below the minimum allowed level. Similarly, the  $V_{CC2}$  and GND2 conductors must be sized to support any external load current. These heavy copper traces will also help to reduce thermal stress and improve the thermal conductivity.
- Input and Output decoupling is not required, since these components are integrated within the package. An additional bulk capacitor with a value of 6.8 $\mu$ F to 22 $\mu$ F is recommended. The high ESR of this capacitor reduces board resonances and minimizes voltage spikes caused by hot plugging of the supply voltage. For EMI sensitive applications, an additional low ESL ceramic capacitor of 1 $\mu$ F to 4.7 $\mu$ F, placed as close to the power and ground terminals as possible, is recommended. Alternatively, a number of smaller value parallel capacitors may be used to reduce ESL and achieve the same net capacitance.
- Do not place copper on the PCB between the inner columns of pads. This area must remain open to withstand the rated isolation voltage.
- The use of solid ground planes for GND and GND2 is recommended for non-EMI critical applications to optimize signal fidelity, thermal performance, and to minimize RF emissions due to uncoupled PCB trace conduction. The drawback of using ground planes, where EMI is of concern, is the creation of a dipole

antenna structure which can radiate differential voltages formed between GND and GND2. If ground planes are used it is recommended to minimize their area, and use contiguous planes as any openings or splits can exacerbate RF emissions.

- For large ground planes a small capacitance ( $\leq 330$ pF) from GND to GND2, either discrete or embedded within the substrate, provides a low impedance current return path for the module parasitic capacitance, minimizing any high frequency differential voltages and substantially reducing radiated emissions. Discrete capacitance will not be as effective due to parasitic ESL. In addition, voltage rating, leakage, and clearance must be considered for component selection. Embedding the capacitance within the PCB substrate provides a near ideal capacitor and eliminates component selection issues; however, the PCB must be 4 layers. Care must be exercised in applying either technique to insure the voltage rating of the barrier is not compromised.

The PCB layout in Figures 7a to 7e show the low EMI demo board for the LTM2882. The demo board uses a combination of EMI mitigation techniques, including both embedded PCB bridge capacitance and discrete GND to GND2 capacitors. Two safety rated type Y2 capacitors are used in series, manufactured by Murata, part number GA342QR7GF471KW01L. The embedded capacitor effectively suppresses emissions above 400MHz, whereas the discrete capacitors are more effective below 400MHz.

EMI performance is shown in Figure 8, measured using a Gigahertz Transverse Electromagnetic (GTEM) cell and method detailed in IEC 61000-4-20, "Testing and Measurement Techniques – Emission and Immunity Testing in Transverse Electromagnetic Waveguides."

APPLICATIONS INFORMATION

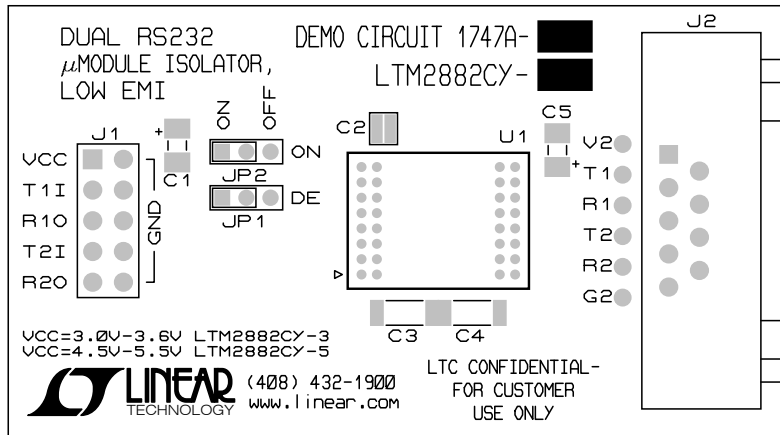


Figure 7a. Low EMI Demo Board Layout

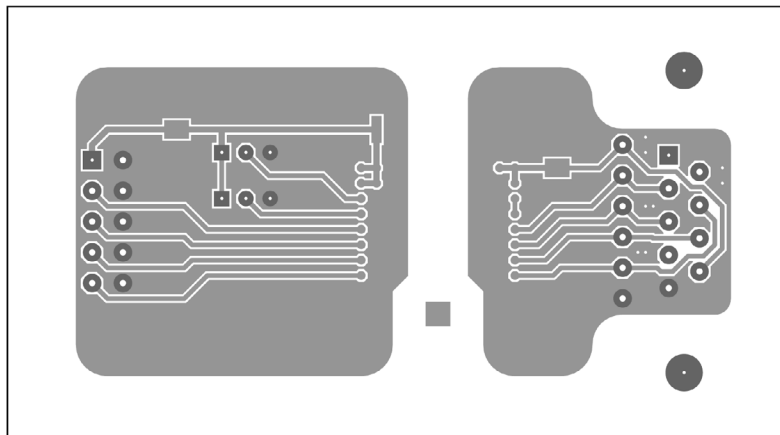


Figure 7b. Low EMI Demo Board Layout (DC1747A), Top Layer

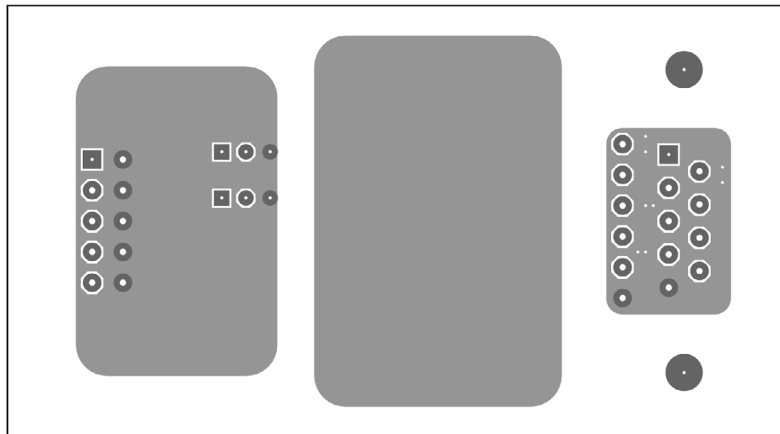


Figure 7c. Low EMI Demo Board Layout (DC1747A), Inner Layer 1

**APPLICATIONS INFORMATION**



Figure 7d. Low EMI Demo Board Layout (DC1747A), Inner Layer 2



Figure 7e. Low EMI Demo Board Layout (DC1747A), Bottom Layer

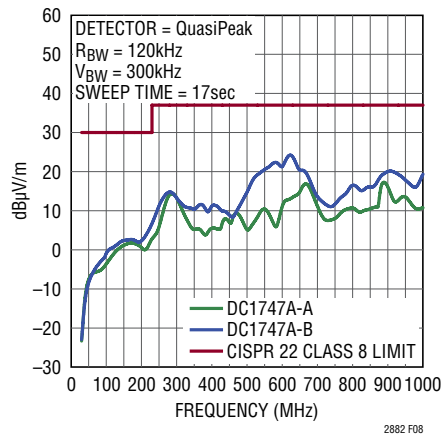


Figure 8. Low EMI Demo Board Emissions



TYPICAL APPLICATIONS

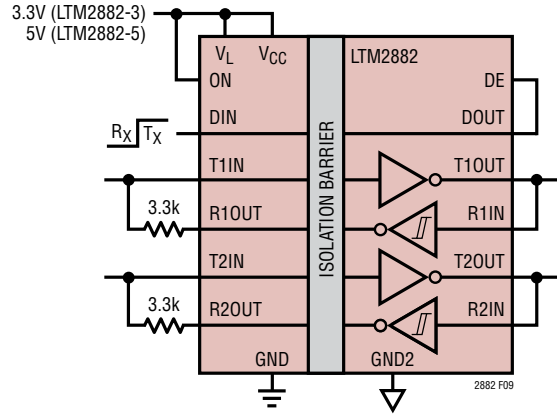


Figure 9. Single Line Dual Half-Duplex Isolated Transceiver

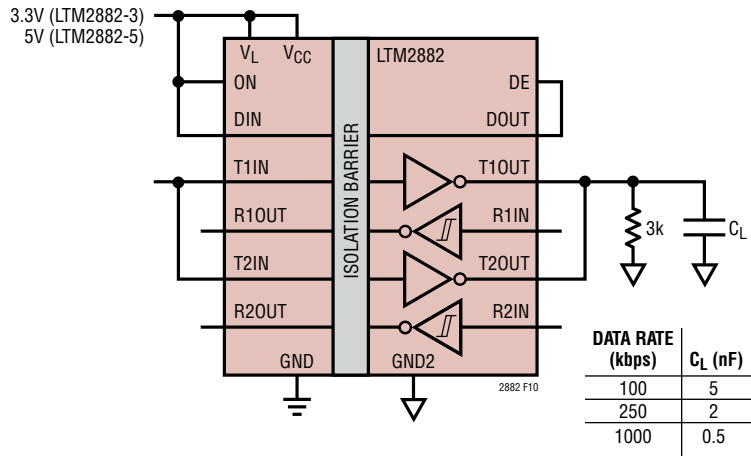


Figure 10. Driving Larger Capacitive Loads

## TYPICAL APPLICATIONS

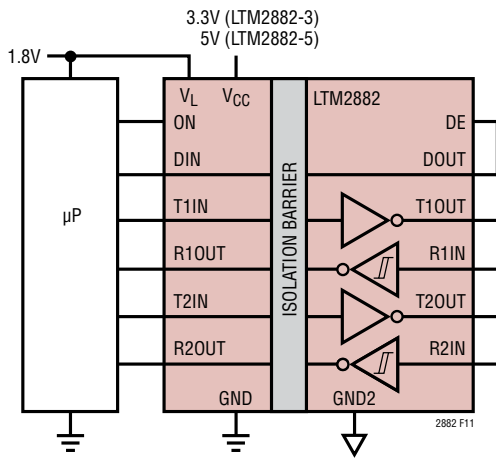


Figure 11. 1.8V Microprocessor Interface

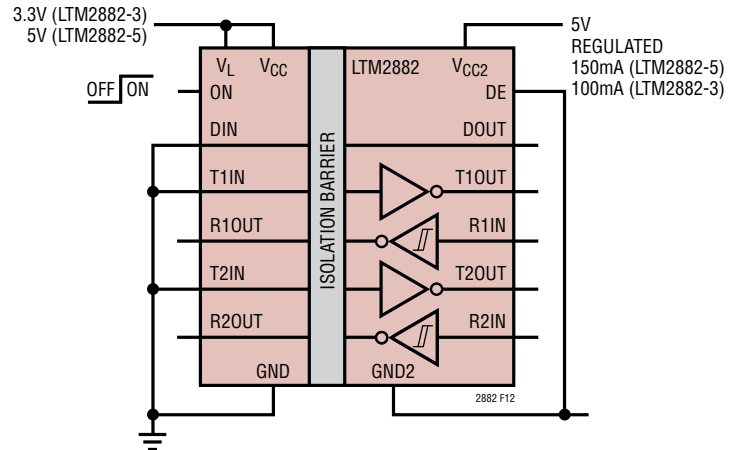


Figure 12. Isolated 5V Power Supply

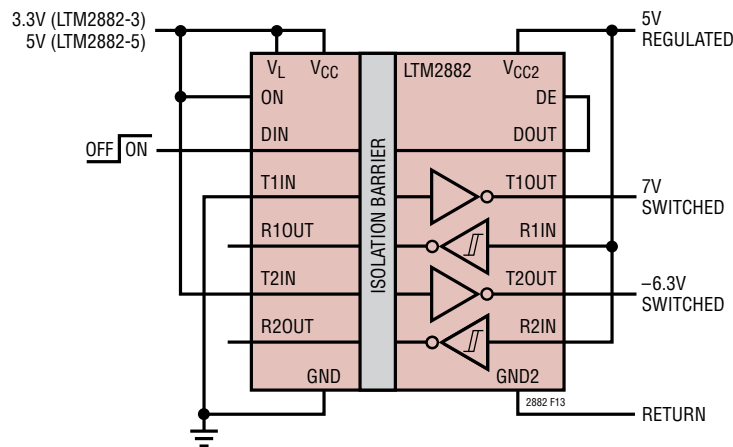
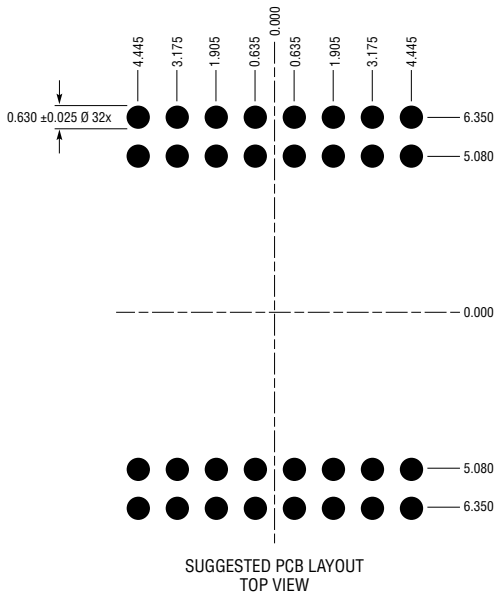
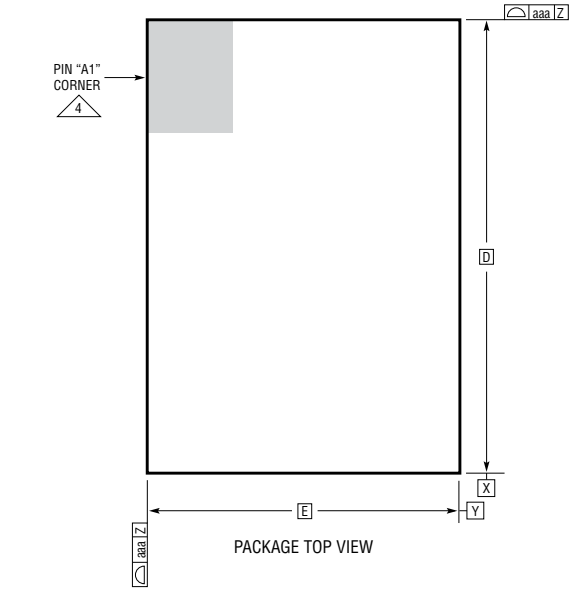
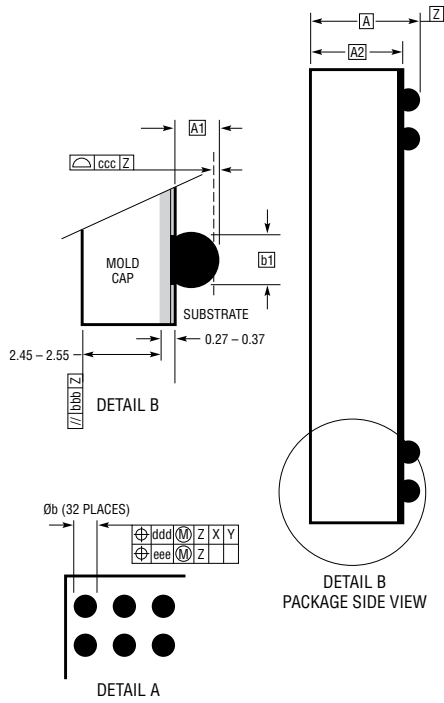


Figure 13. Isolated Multirail Power Supply with Switched Outputs

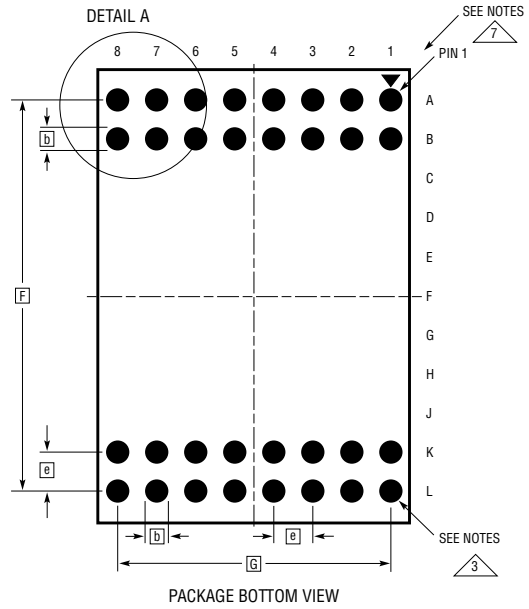


**BGA Package**  
**32-Lead (15mm × 11.25mm × 3.42mm)**  
 (Reference LTC DWG # 05-08-1851 Rev D)

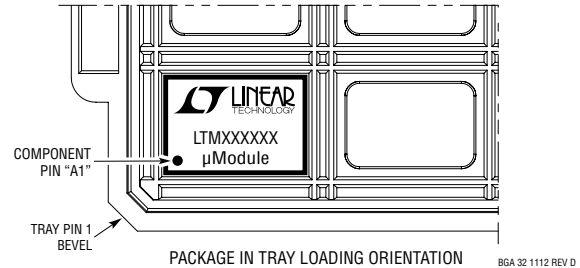


DIMENSIONS				
SYMBOL	MIN	NOM	MAX	NOTES
A	3.22	3.42	3.62	
A1	0.50	0.60	0.70	
A2	2.72	2.82	2.92	
b	0.60	0.75	0.90	
b1	0.60	0.63	0.66	
D	15.0			
E	11.25			
e	1.27			
F	12.70			
G	8.89			
aaa			0.15	
bbb			0.10	
ccc			0.20	
ddd			0.30	
eee			0.15	

TOTAL NUMBER OF BALLS: 32



- NOTES:
1. DIMENSIONING AND TOLERANCING PER ASME Y14.5M-1994
  2. ALL DIMENSIONS ARE IN MILLIMETERS
  3. BALL DESIGNATION PER JESD MS-028 AND JEP95
  4. DETAILS OF PIN #1 IDENTIFIER ARE OPTIONAL, BUT MUST BE LOCATED WITHIN THE ZONE INDICATED. THE PIN #1 IDENTIFIER MAY BE EITHER A MOLD OR MARKED FEATURE
  5. PRIMARY DATUM -Z- IS SEATING PLANE
  6. SOLDER BALL COMPOSITION IS 96.5% Sn/3.0% Ag/0.5% Cu
  7. PACKAGE ROW AND COLUMN LABELING MAY VARY AMONG  $\mu$ Module PRODUCTS. REVIEW EACH PACKAGE LAYOUT CAREFULLY

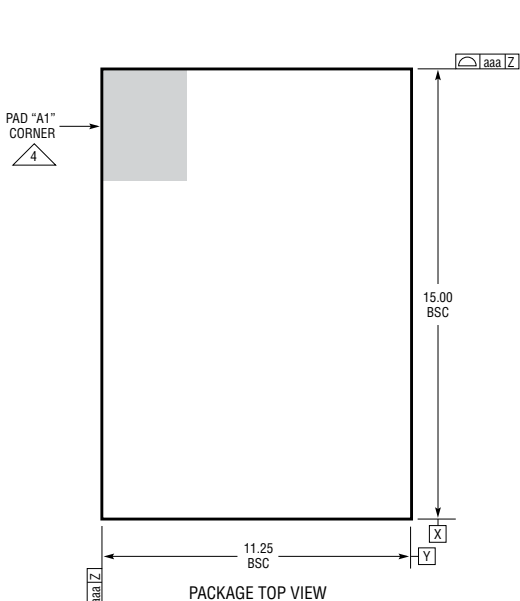


**PACKAGE DESCRIPTION**  
 Please refer to <http://www.linear.com/product/LTM2882#packaging> for the most recent package drawings.

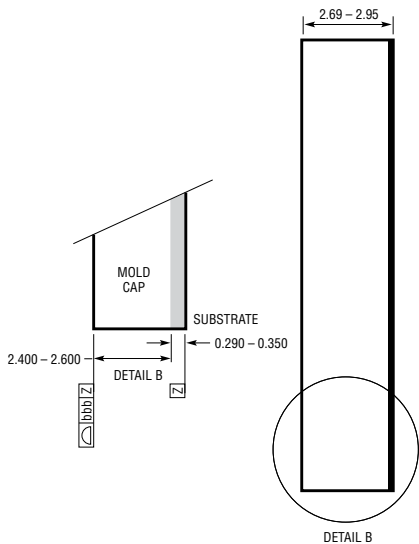
**PACKAGE DESCRIPTION**

Please refer to <http://www.linear.com/product/LTM2882#packaging> for the most recent package drawings.

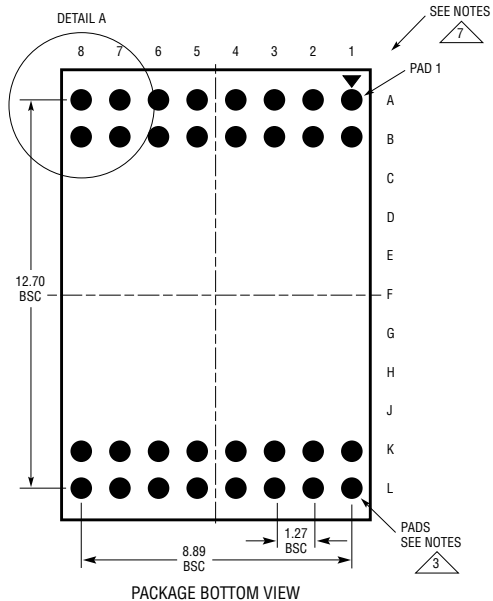
**LGA Package**  
**32-Lead (15mm × 11.25mm × 2.82mm)**  
 (Reference LTC DWG # 05-08-1773 Rev A)



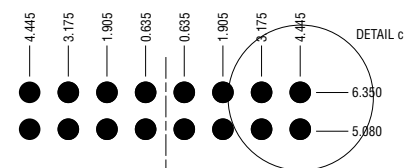
PACKAGE TOP VIEW



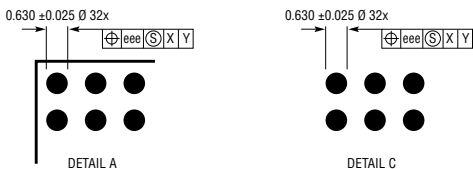
DETAIL B



PACKAGE BOTTOM VIEW



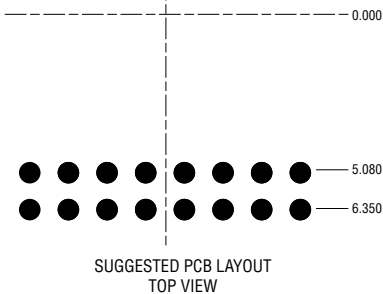
DETAIL C



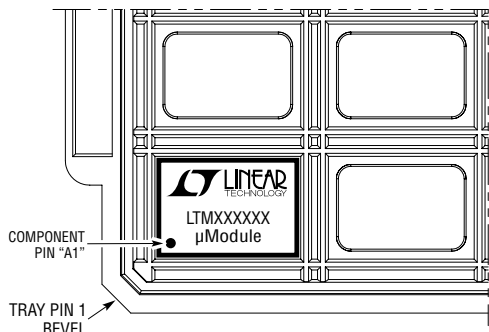
NOTES:  
 1. DIMENSIONING AND TOLERANCING PER ASME Y14.5M-1994  
 2. ALL DIMENSIONS ARE IN MILLIMETERS

- 3 LAND DESIGNATION PER JESD MO-222
- 4 DETAILS OF PAD #1 IDENTIFIER ARE OPTIONAL, BUT MUST BE LOCATED WITHIN THE ZONE INDICATED. THE PAD #1 IDENTIFIER MAY BE EITHER A MOLD OR MARKED FEATURE
- 5. PRIMARY DATUM -Z- IS SEATING PLANE
- 6. THE TOTAL NUMBER OF PADS: 32
- 7 PACKAGE ROW AND COLUMN LABELING MAY VARY AMONG  $\mu$ Module PRODUCTS. REVIEW EACH PACKAGE LAYOUT CAREFULLY

SYMBOL	TOLERANCE
aaa	0.10
bbb	0.10
eee	0.05



SUGGESTED PCB LAYOUT TOP VIEW



PACKAGE IN TRAY LOADING ORIENTATION

LGA 32 0113 REV A

## REVISION HISTORY

REV	DATE	DESCRIPTION	PAGE NUMBER
A	3/10	Changes to Features	1
		Add BGA Package to Pin Configuration, Order Information and Package Description Sections	2, 15
		Changes to LGA Package in Pin Configuration Section	2
		Update to Pin Functions	9
		Update to RF, Magnetic Field Immunity Section	12
		“PCB Layout Isolation Considerations” Section Replaced	13
B	3/11	H-Grade parts added. Reflected throughout the data sheet.	1-20
C	1/12	MP-Grade parts added. Reflected throughout the data sheet.	1-24
D	11/12	Storage temperature range updated.	2
E	5/14	Removed H-grade and MP-grade parts throughout the data sheet.	1-22
		Reduced Maximum Internal Operating Temperature and Storage Temperature Range.	2
		Added CTI and DTI parameters.	5
F	9/14	Revised Output Supply Short-Circuit Current ( $I_{CC2}$ )	3
G	4/16	Added CSA information	1
		Revised $I_{CC}$ (LTM2882-5) limit	3

## TYPICAL APPLICATIONS

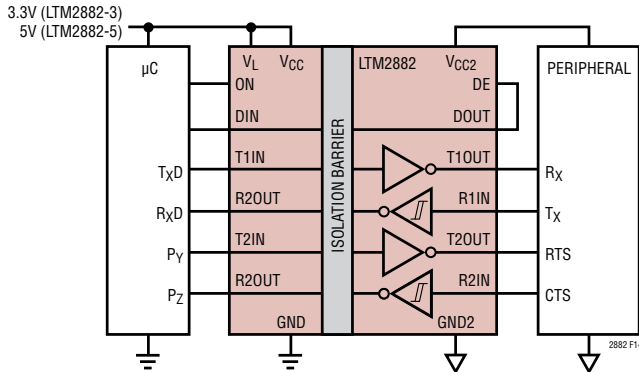


Figure 14. Isolated RS232 Interface with Handshaking

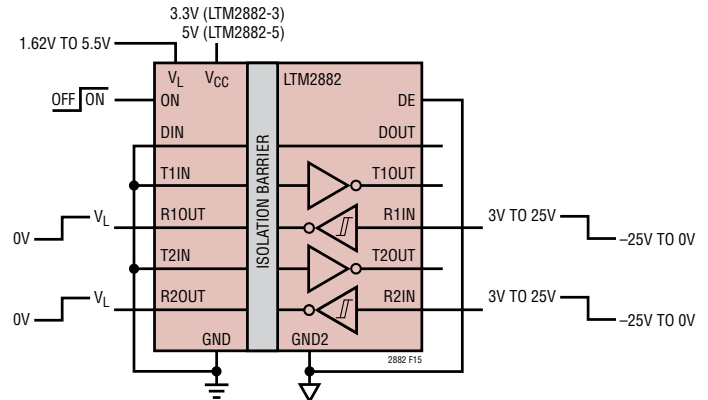


Figure 15. Isolated Dual Inverting Level Translator

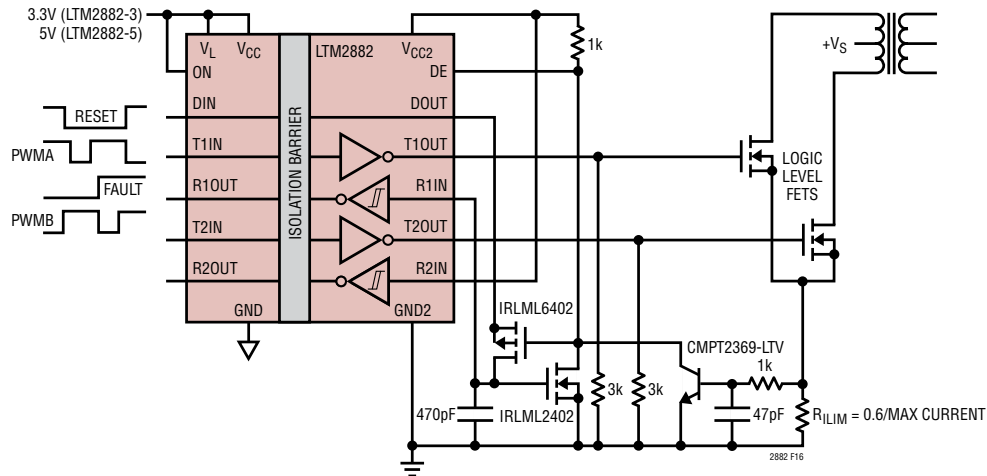


Figure 16. Isolated Gate Drive with Overcurrent Detection

## RELATED PARTS

PART NUMBER	DESCRIPTION	COMMENTS
<a href="#">LTM2881</a>	Isolated RS485/RS422 µModule Transceiver with Low EMI Integrated DC/DC Converter	20Mbps, ±15kV HBM ESD, 2500V <sub>RMS</sub> Isolation with 1W Power
<a href="#">LTC2870/LTC2871</a>	RS232/RS485 Multiprotocol Transceivers with Integrated Termination	20Mbps RS485 and 500kbps RS232, ±26kV ESD, 3V to 5V Operation
<a href="#">LTC2804</a>	1Mbps RS232 Transceiver	Dual Channel, Full-Duplex, ±10kV HBM ESD
<a href="#">LTC1535</a>	Isolated RS485 Transceiver	2500 V <sub>RMS</sub> Isolation with External Transformer Driver
<a href="#">LTM2883</a>	SPI/Digital or I <sup>2</sup> C Isolated µModule with Adjustable 5V and 12V Rails	2500 V <sub>RMS</sub> Isolation with Power in BGA Package
<a href="#">LTM2892</a>	SPI/Digital or I <sup>2</sup> C Isolated µModule	3500 V <sub>RMS</sub> Isolation, 6 Channels